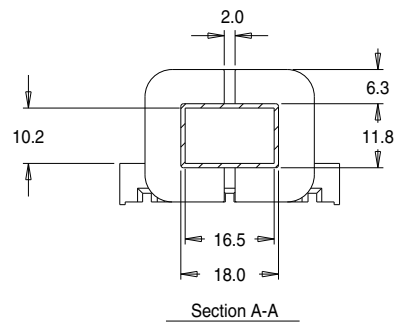
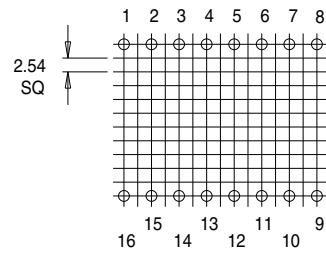
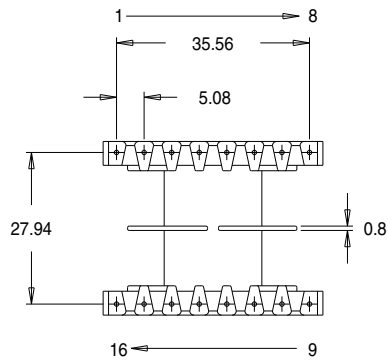
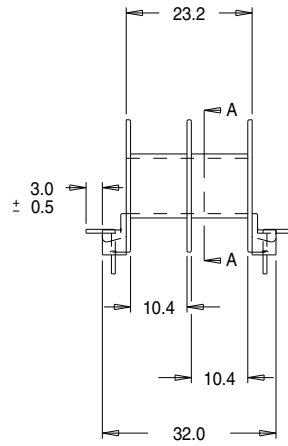
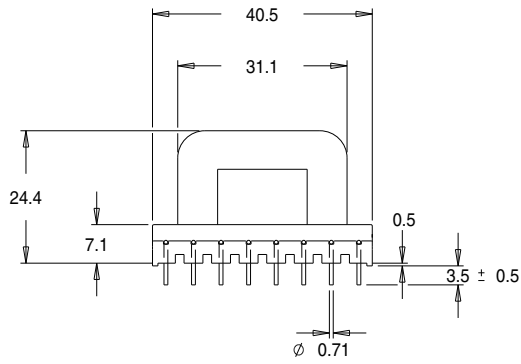


Part No. VM0870

EI48 x 10 Double Section Bobbin



Dimensions in millimetres.

